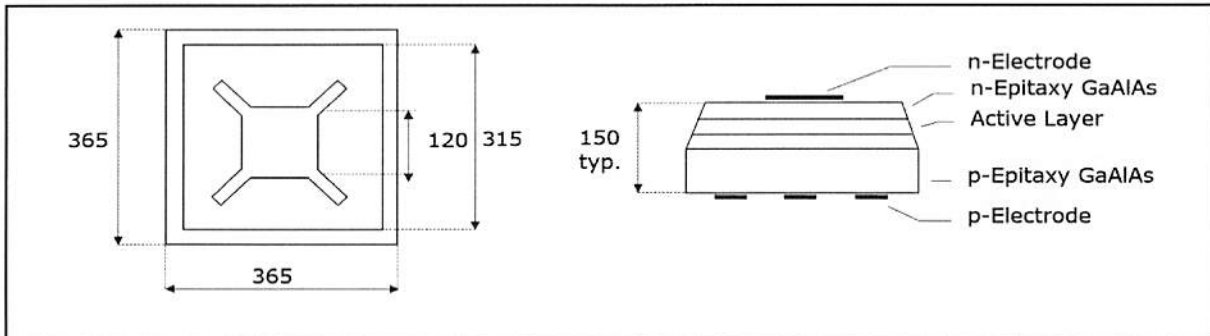


Radiation	Type	Electrodes
Infrared	AlGaAs/AlGaAs, DDH	N (cathode) up



### Optical and Electrical Characteristics

$T_{amb} = 25^{\circ}\text{C}$ , unless otherwise specified

Parameter	Test cond.	Symbol	Min	Typ	Max	Unit
Forward voltage	$I_F = 20 \text{ mA}$	$V_F$		1.3	1.6	V
Reverse voltage	$I_R = 100 \mu\text{A}$	$V_R$	5			V
Radiant power*	$I_F = 20 \text{ mA}$	$\Phi_e$	3	4		mW
Peak wavelength	$I_F = 20 \text{ mA}$	$\lambda_p$	900	910	920	nm
FWHM	$I_F = 20 \text{ mA}$	$\Delta\lambda_{0.5}$		60		nm
Switching time	$I_F = 20 \text{ mA}$	$t_r, t_f$		300		ns

\*Measured on bare chip on TO-18 header

### Packing

Chips on adhesive film with wire bond side up

Art. No. 113 102



We reserve the right to make changes to improve technical design and may do so without further notice. Parameters can vary in different applications. All operating parameters must be validated for each customer application by the customer.