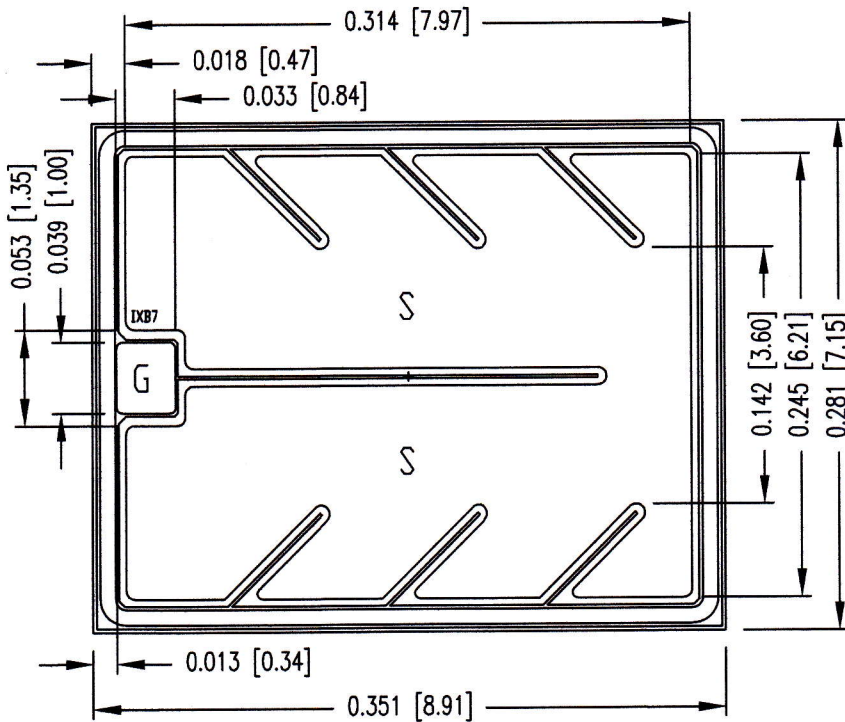




Sierra Components, Inc.

2222 Park Place, 3-E • Minden, Nevada 89423
Phone: 775.783.4940 Fax: 775.783.4947



NOTE:

1. DIE THICKNESS - $200 \pm 25 \mu\text{m}$
[0.008 ±0.001"]
2. TOP BONDING PAD METAL -
3 μm NOMINAL THICK ALUMINUM
3. BACK METAL - 3 LAYERS OF Ti, Ni, Ag
(2,500Å NOMINAL THICK SILVER)
4. DIE SIZE TOLERANCE - $\pm 25 \mu\text{m}$ (0.001")
5. G = GATE
S = SOURCE (EMITTER FOR IGBT)
D = DRAIN (COLLECTOR FOR IGBT)
(Bottom side of die)

APPROVED BY: MG

DIE SIZE: 351 X 281 Mils

DATE: 12/10/15

MFG: IXYS

THICKNESS: 8 MILS

P/N: IXTD48P20P